

Class 08: Outline

Hour 1:

Last Time: Conductors

Expt. 3: Faraday Ice Pail

Hour 2:

Capacitors & Dielectrics

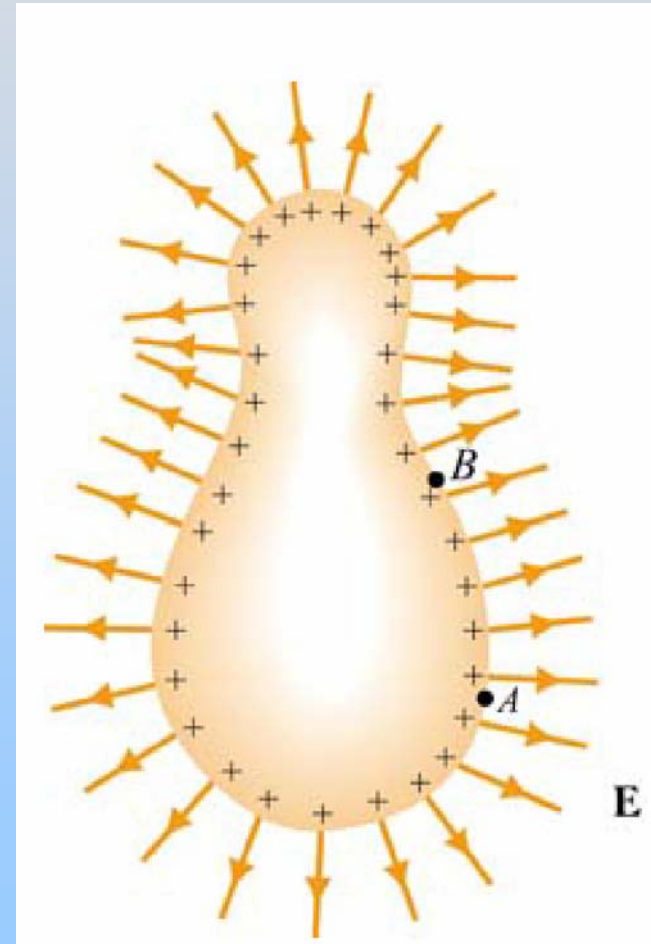
Last Time: Conductors

Conductors in Equilibrium

Conductors are equipotential objects:

- 1) $E = 0$ inside
- 2) Net charge inside is 0
- 3) E perpendicular to surface
- 4) Excess charge on surface

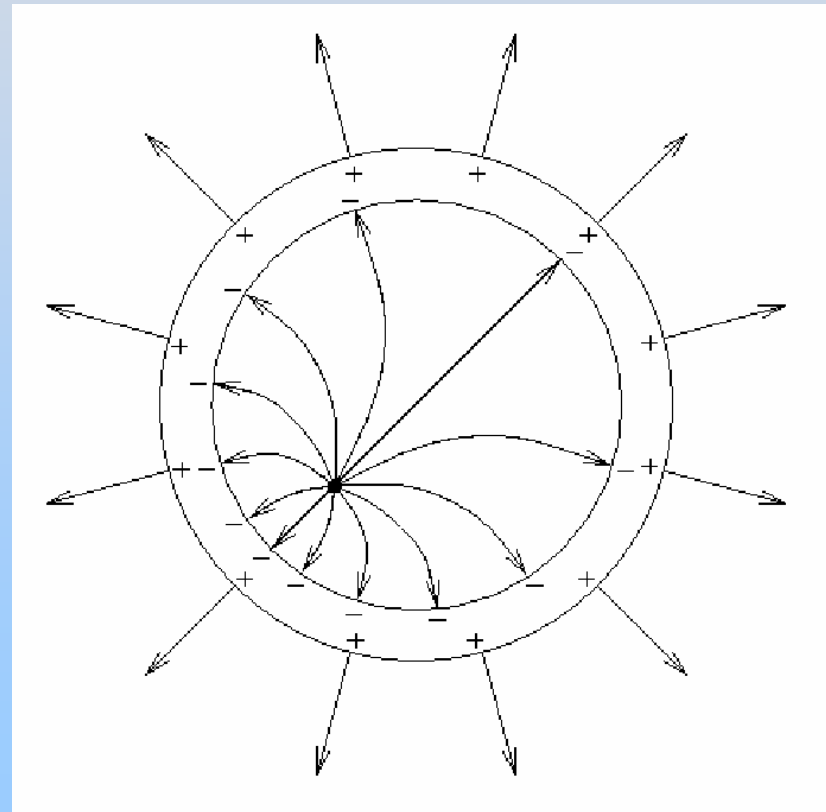
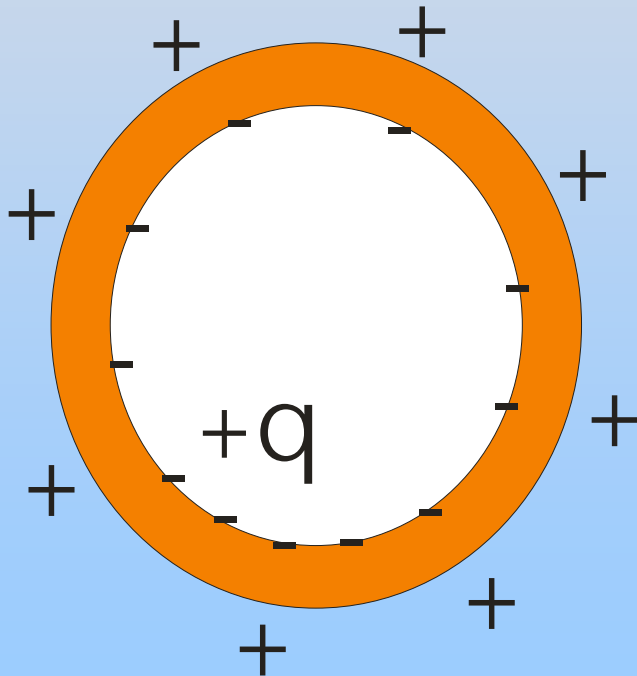
$$E = \frac{\sigma}{\epsilon_0}$$



Conductors as Shields

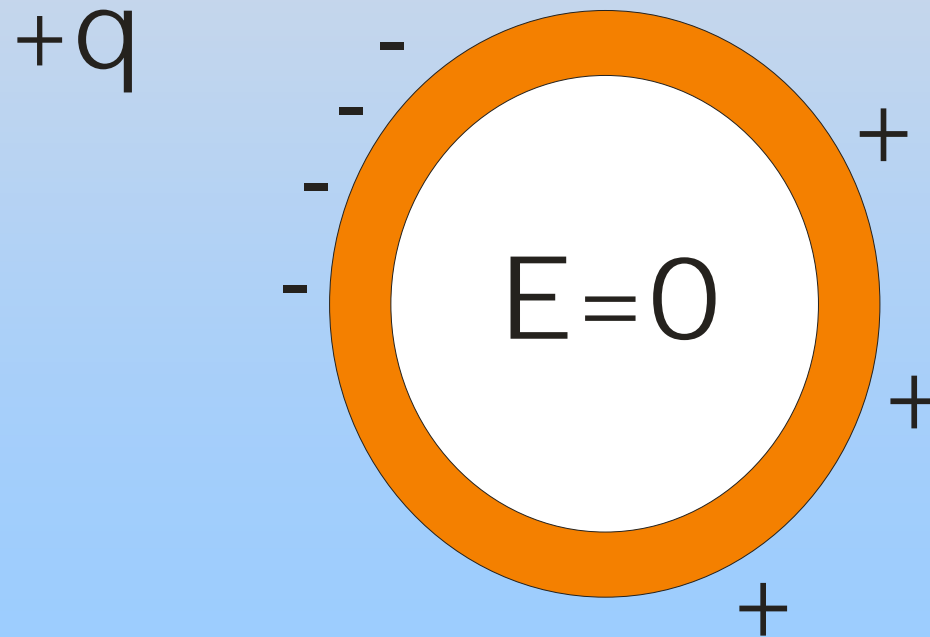
Hollow Conductors

Charge placed INSIDE induces balancing charge INSIDE

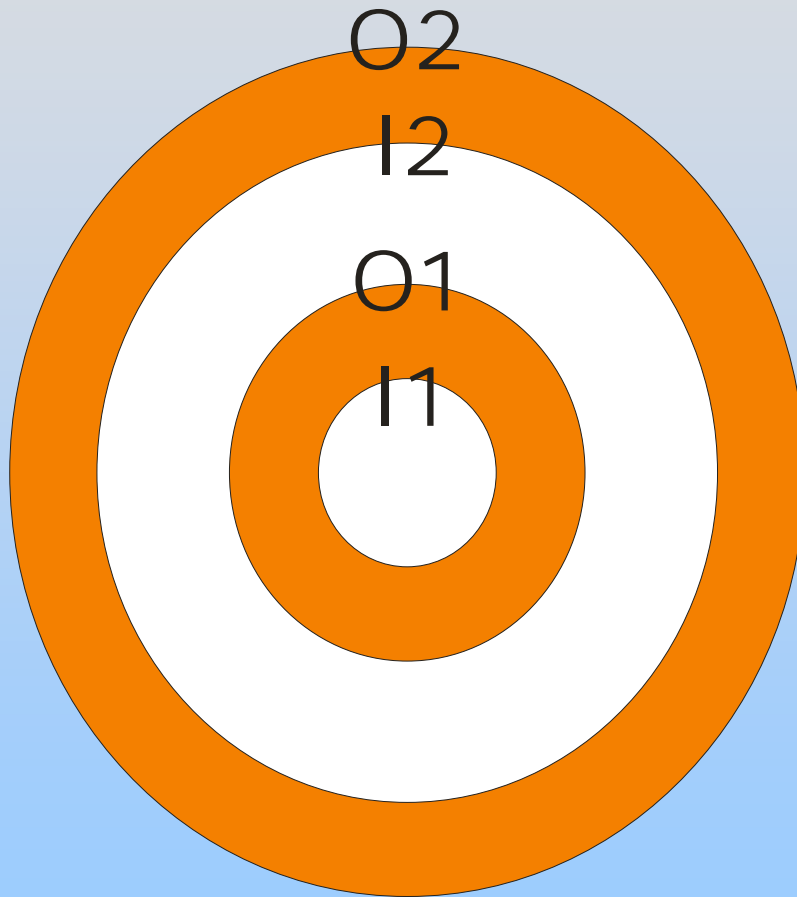


Hollow Conductors

Charge placed OUTSIDE induces charge separation on OUTSIDE



PRS Setup

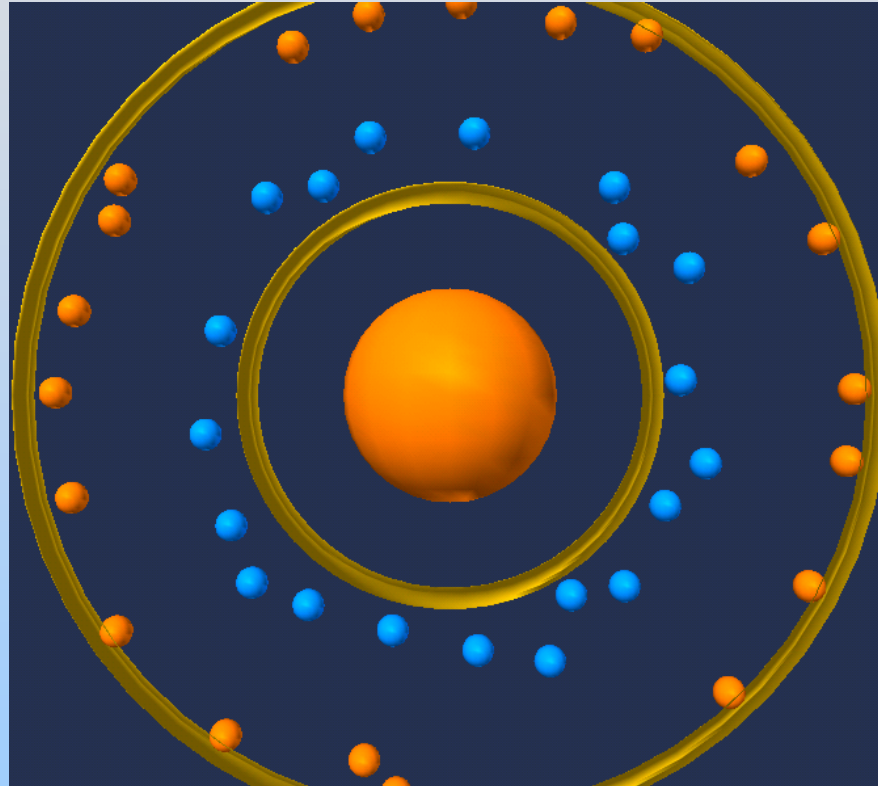


What happens
if we put Q in
the center?

PRS Questions: Point Charge Inside Conductor

Demonstration: Conductive Shielding

Visualization: Inductive Charging

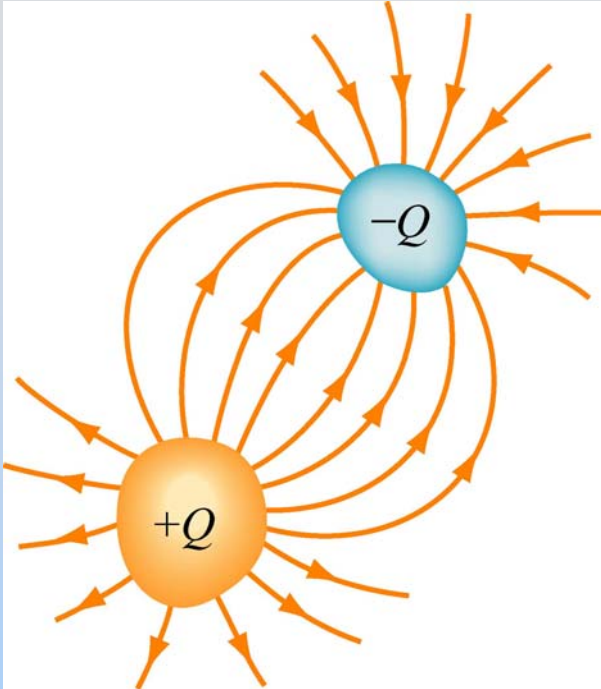


<http://ocw.mit.edu/ans7870/8/8.02T/f04/visualizations/electrostatics/40-chargebyinduction/40-chargebyinduction.html>

Experiment 3: Faraday Ice Pail

Last Time: Capacitors

Capacitors: Store Electric Energy



$$C = \frac{Q}{|\Delta V|}$$

To calculate:

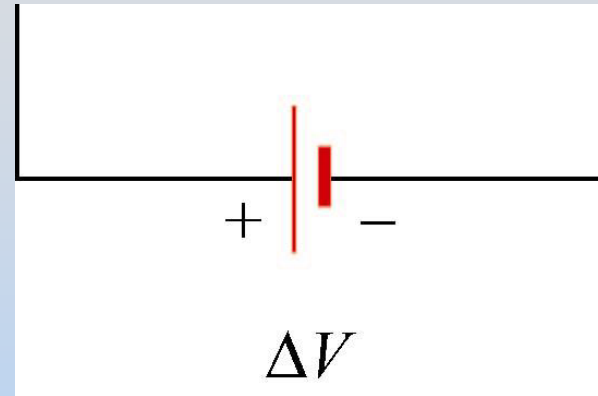
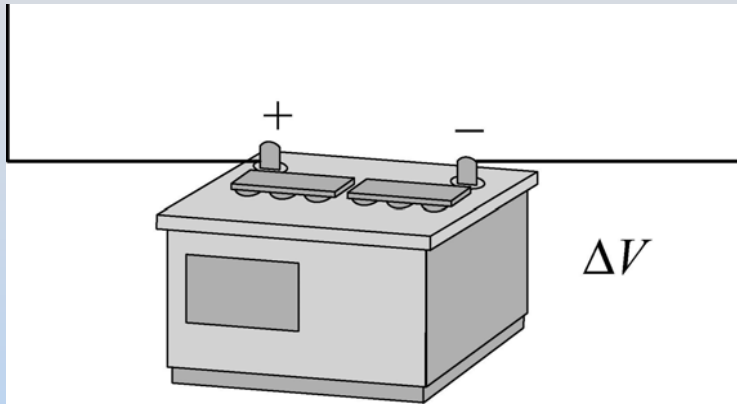
- 1) Put on arbitrary $\pm Q$
- 2) Calculate E
- 3) Calculate ΔV

Parallel Plate Capacitor:

$$C = \frac{\epsilon_0 A}{d}$$

Batteries & Elementary Circuits

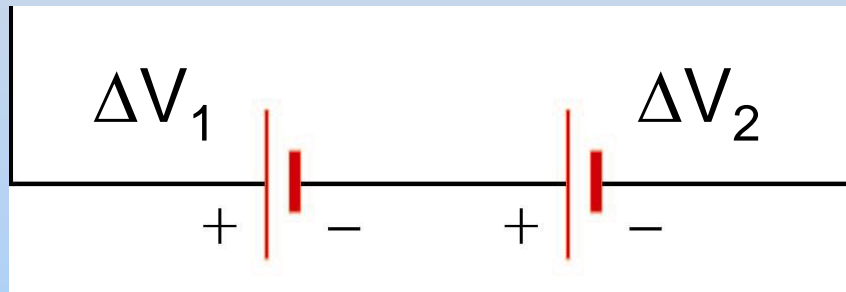
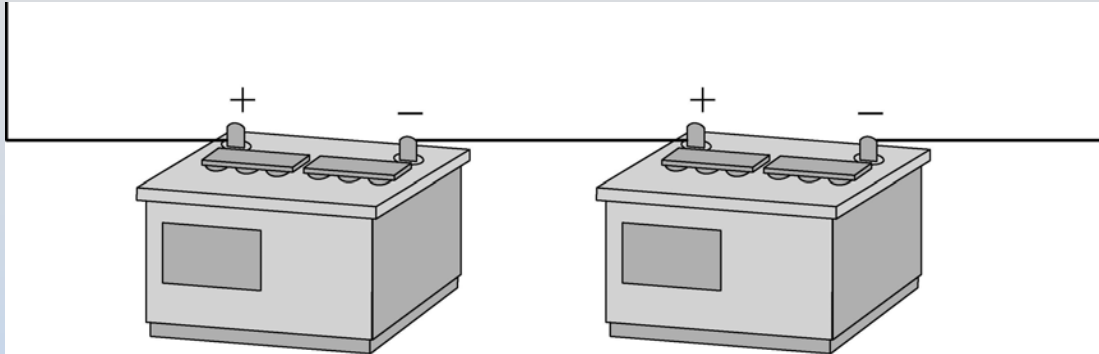
Ideal Battery



Fixes potential difference between its terminals
Sources as much charge as necessary to do so

Think: Makes a mountain

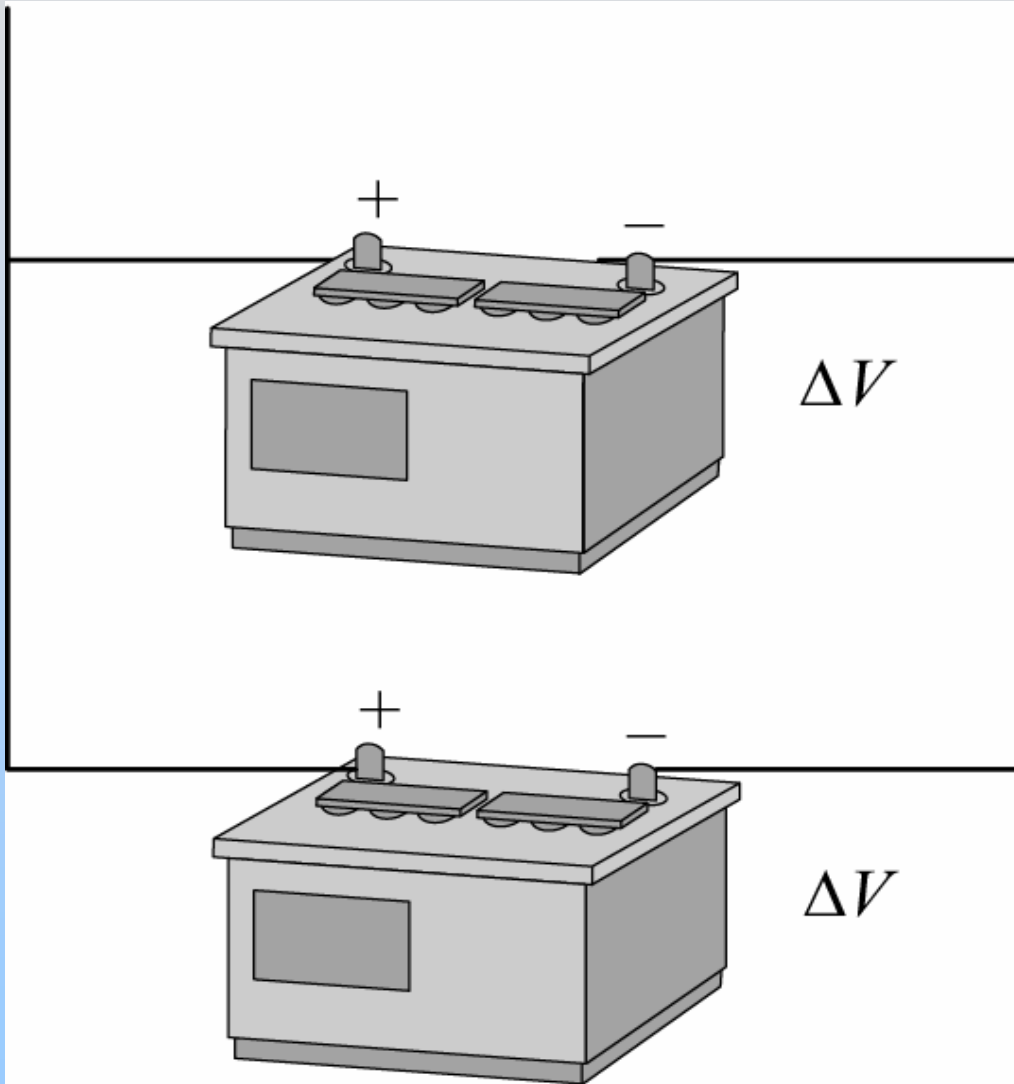
Batteries in Series



Net voltage change is $\Delta V = \Delta V_1 + \Delta V_2$

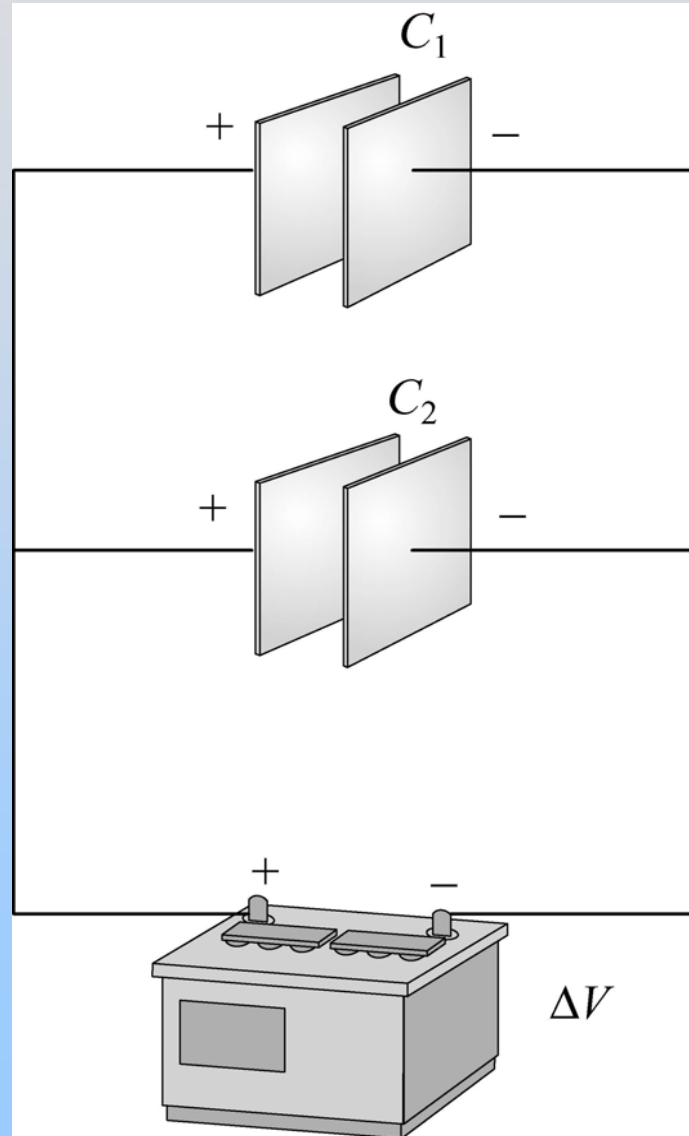
Think: Two Mountains Stacked

Batteries in Parallel

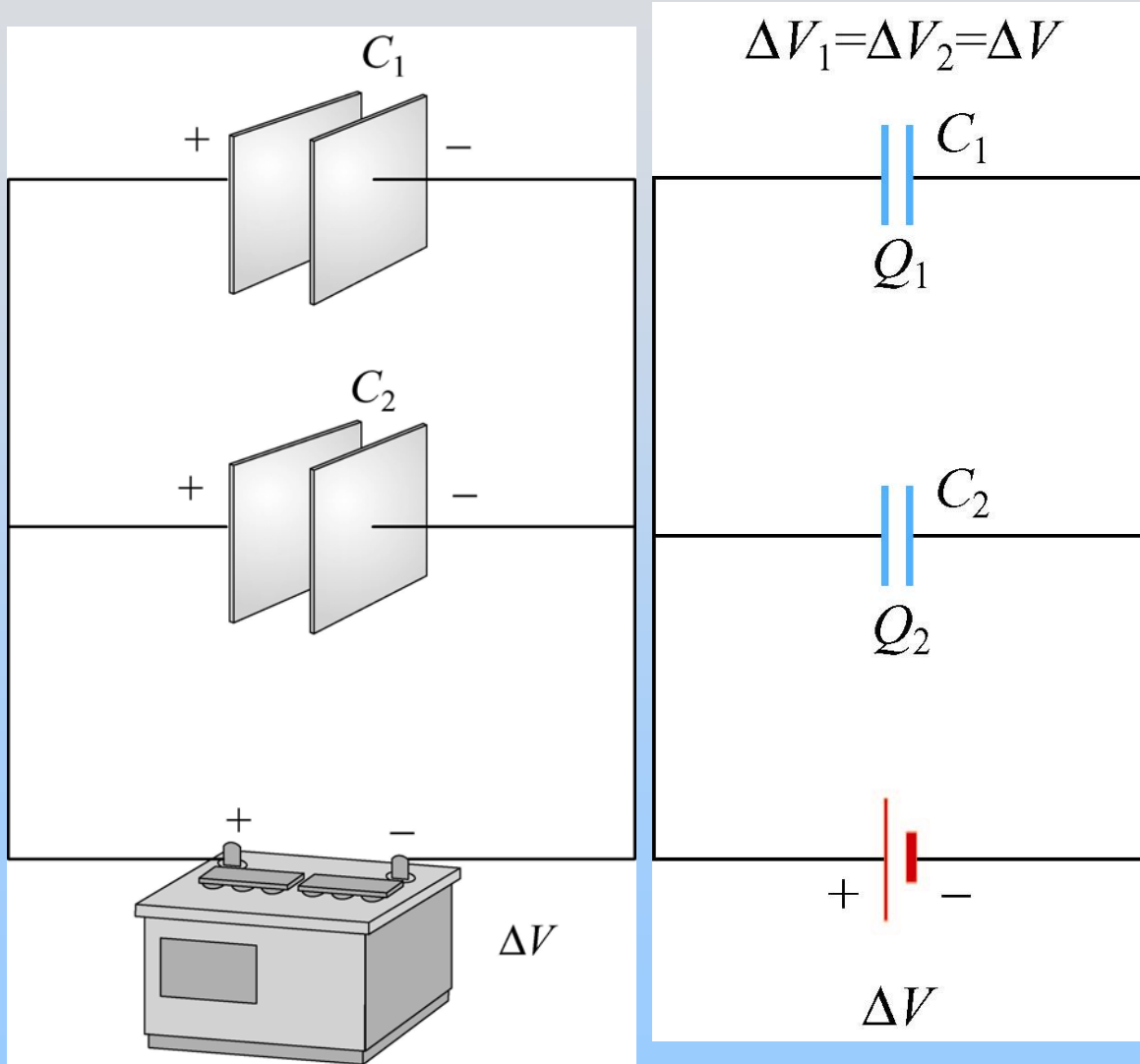


Net voltage still ΔV
Don't do this!

Capacitors in Parallel



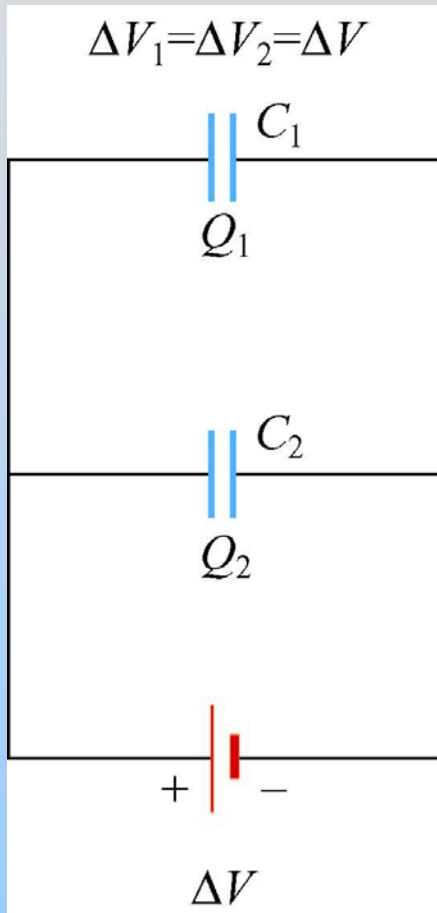
Capacitors in Parallel



Same potential!

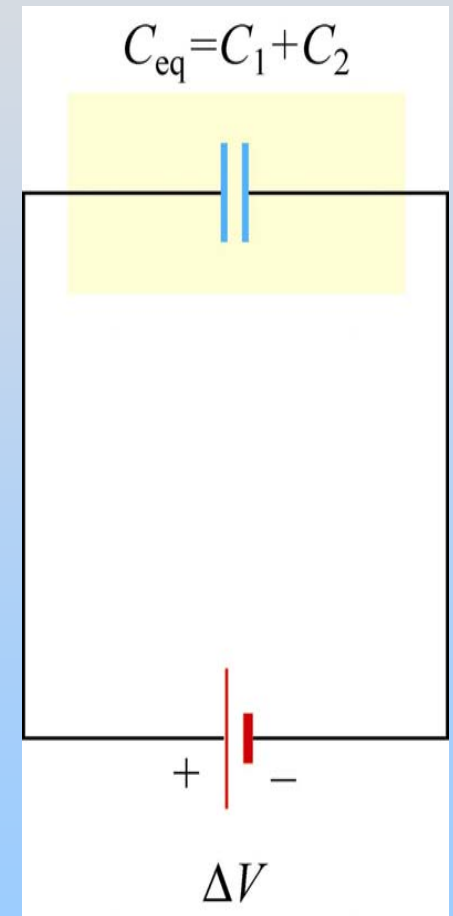
$$C_1 = \frac{Q_1}{\Delta V}, \quad C_2 = \frac{Q_2}{\Delta V}$$

Equivalent Capacitance

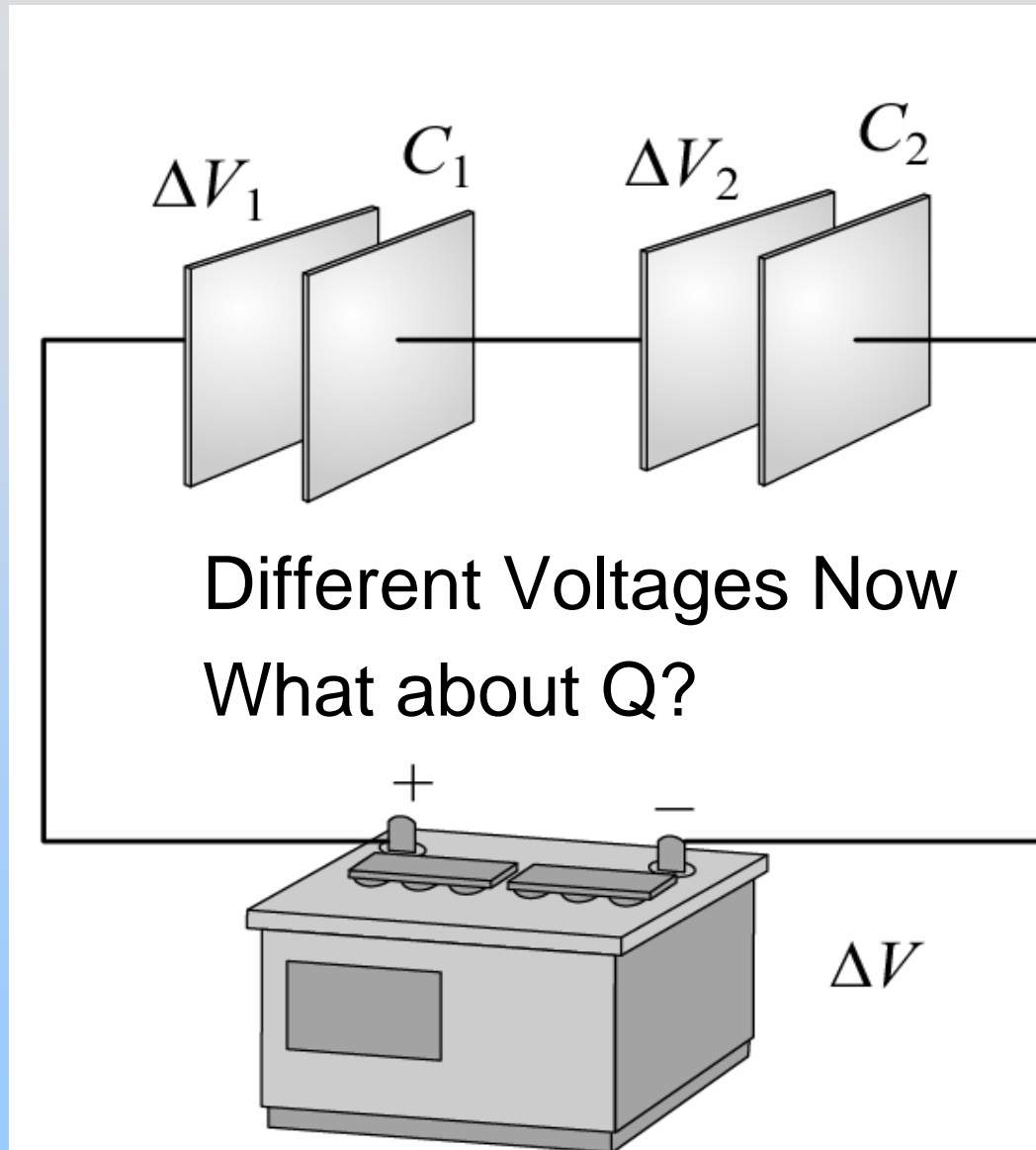


$$Q = Q_1 + Q_2 = C_1 \Delta V + C_2 \Delta V$$
$$= (C_1 + C_2) \Delta V$$

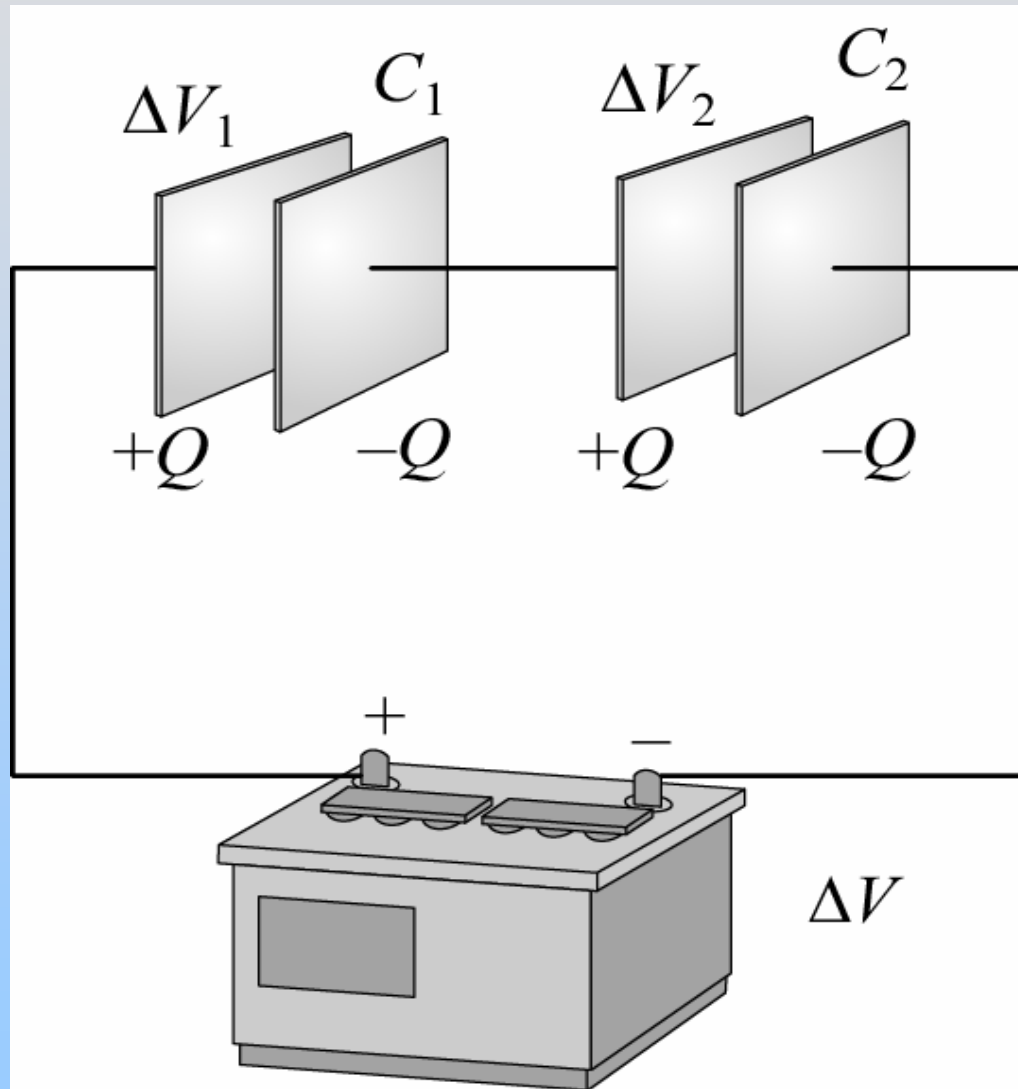
$$C_{eq} = \frac{Q}{\Delta V} = C_1 + C_2$$



Capacitors in Series

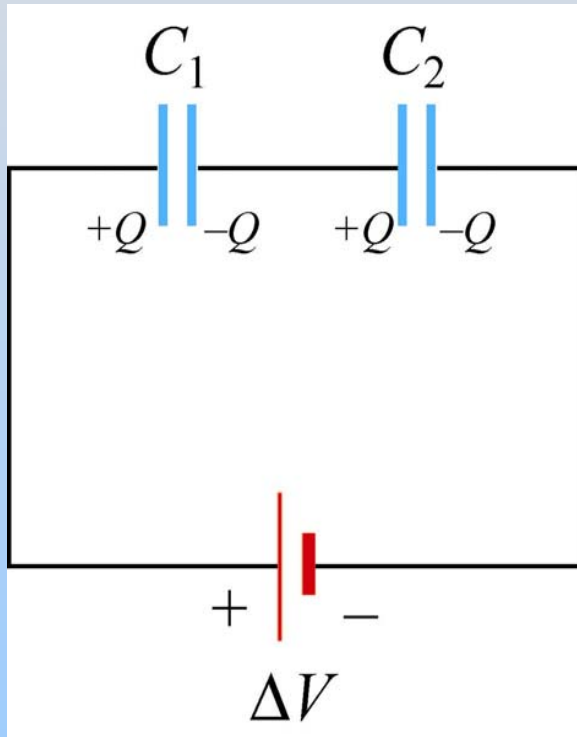


Capacitors in Series



Equivalent Capacitance

$$\Delta V_1 = \frac{Q}{C_1}, \quad \Delta V_2 = \frac{Q}{C_2}$$

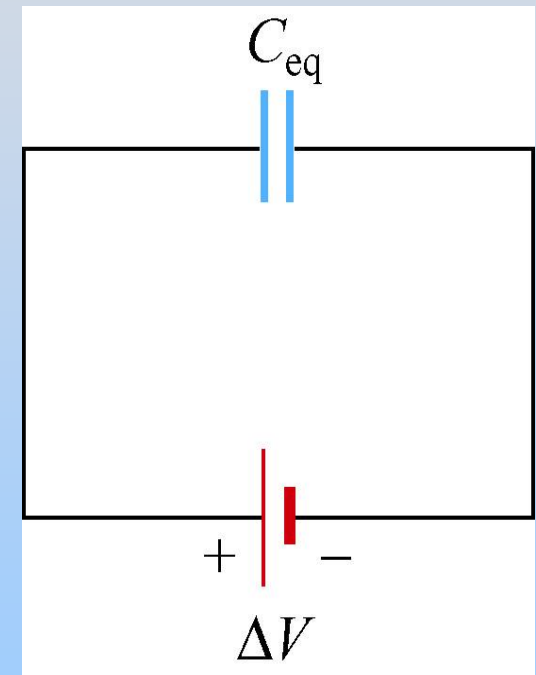


$$\Delta V = \Delta V_1 + \Delta V_2$$

(voltage adds in series)

$$\Delta V = \frac{Q}{C_{eq}} = \frac{Q}{C_1} + \frac{Q}{C_2}$$

$$\frac{1}{C_{eq}} = \frac{1}{C_1} + \frac{1}{C_2}$$



PRS Question: Capacitors in Series and Parallel

Dielectrics

Demonstration: Dielectric in Capacitor

Dielectrics

A dielectric is a non-conductor or insulator

Examples: rubber, glass, waxed paper

When placed in a charged capacitor, the dielectric reduces the potential difference between the two plates

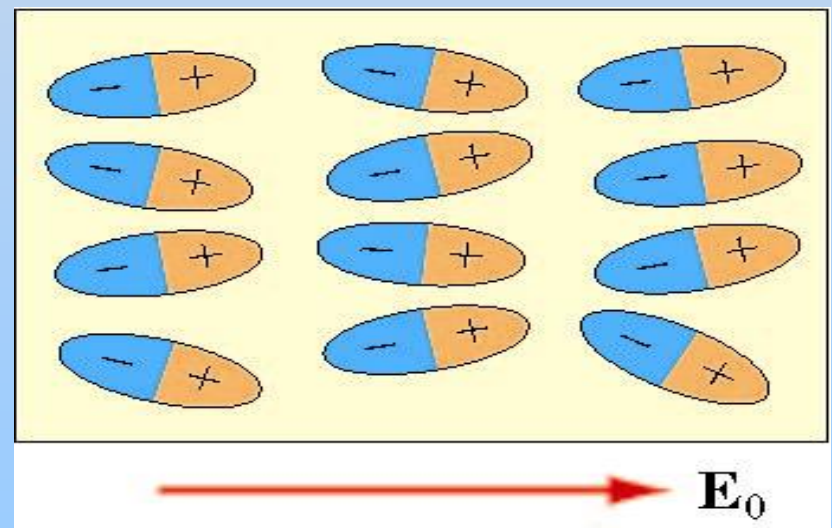
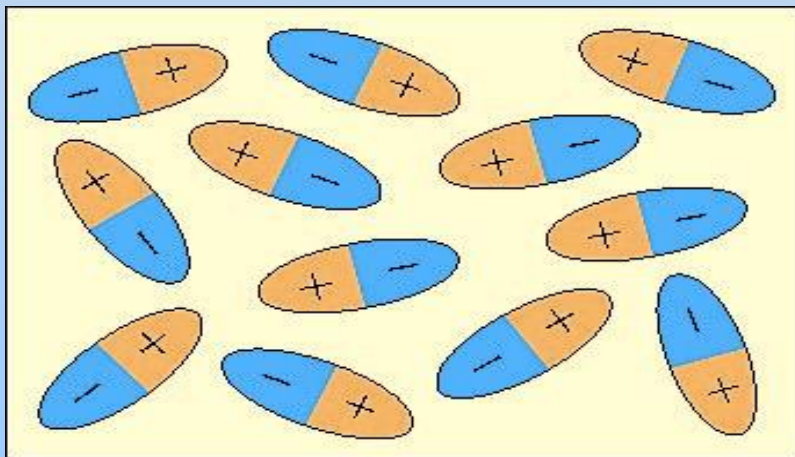
HOW???

Molecular View of Dielectrics

Polar Dielectrics :

Dielectrics with permanent electric dipole moments

Example: Water

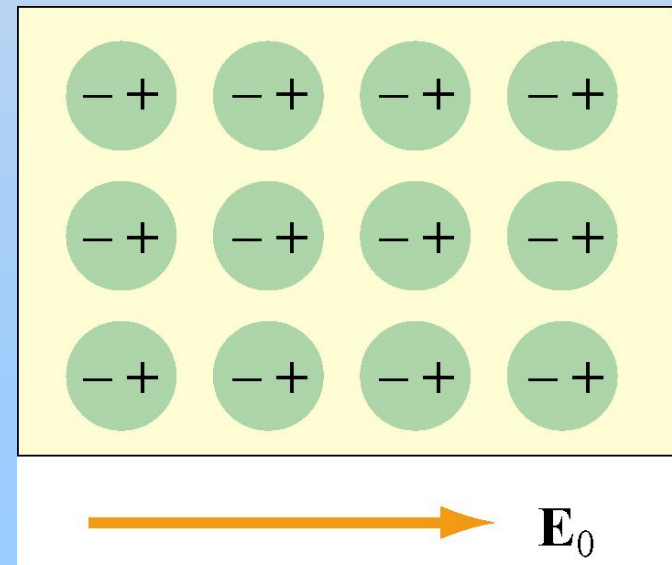
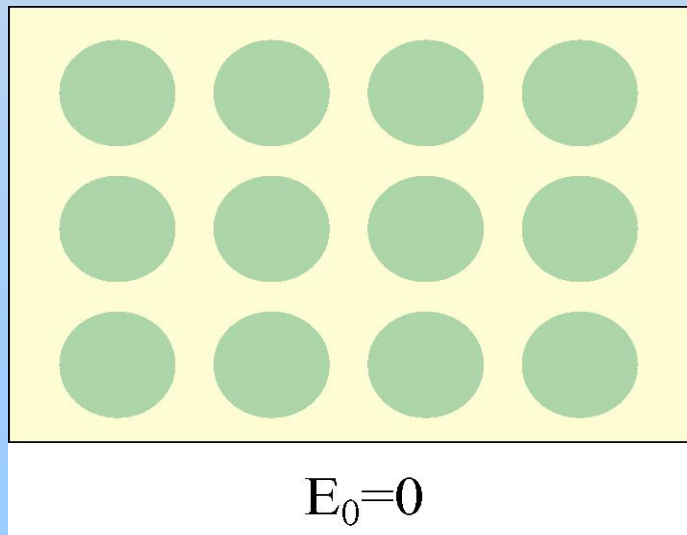


Molecular View of Dielectrics

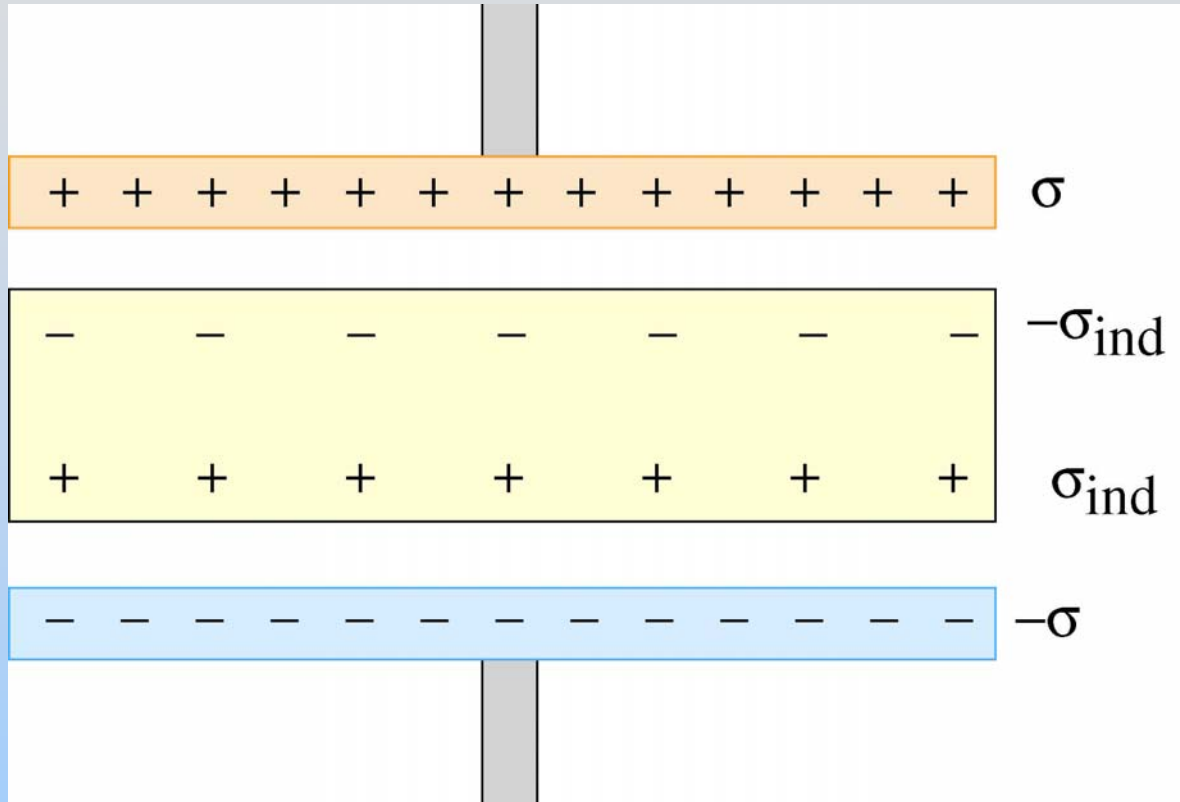
Non-Polar Dielectrics

Dielectrics with induced electric dipole moments

Example: CH_4

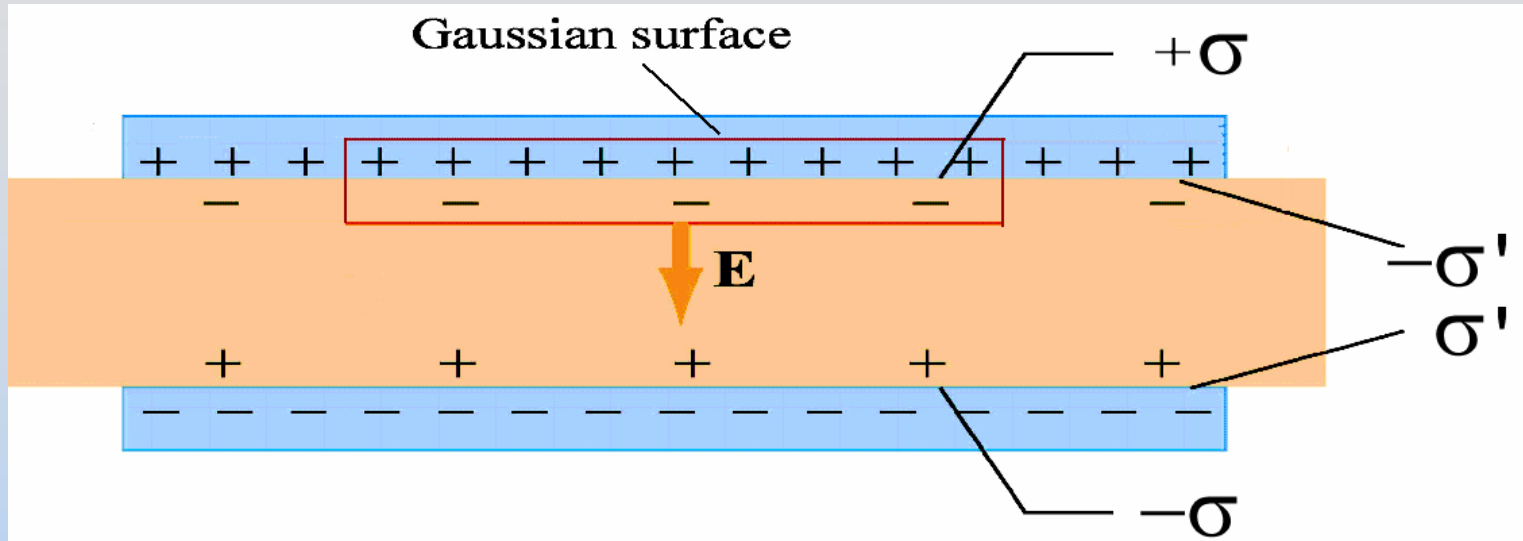


Dielectric in Capacitor



Potential difference decreases because dielectric polarization decreases Electric Field!

Gauss's Law for Dielectrics



Upon inserting dielectric, a charge density σ' is induced at its surface

$$\oiint_S \vec{\mathbf{E}} \cdot d\vec{\mathbf{A}} = EA = \frac{q_{inside}}{\epsilon_0} = \frac{(\sigma - \sigma')A}{\epsilon_0}$$

$$E = \frac{\sigma - \sigma'}{\epsilon_0}$$

What is σ' ?

Dielectric Constant κ

Dielectric weakens original field by a factor κ

$$E = \frac{\sigma - \sigma'}{\epsilon_0} \equiv \frac{E_0}{\kappa} = \frac{\sigma}{\kappa\epsilon_0} \quad \Rightarrow \quad \sigma' = \sigma \left(1 - \frac{1}{\kappa} \right)$$

Gauss's Law with dielectrics:

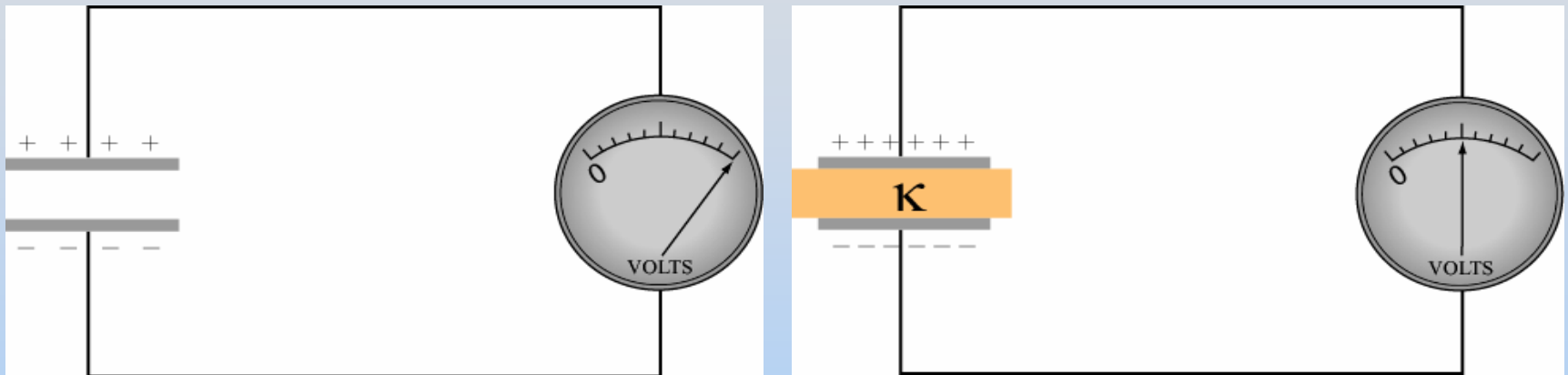
$$\oiint_S \kappa \vec{E} \cdot d\vec{A} = \frac{q_{inside}^{free}}{\epsilon_0}$$

Dielectric constants

Vacuum	1.0
Paper	3.7
Pyrex Glass	5.6
Water	80

Dielectric in a Capacitor

$Q_0 =$ constant after battery is disconnected

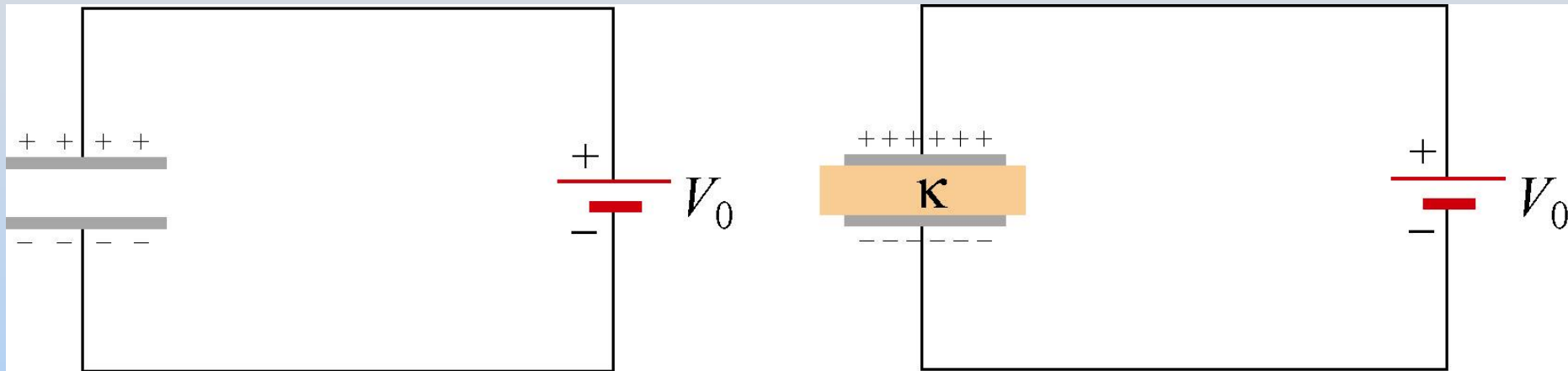


Upon inserting a dielectric: $V = \frac{V_0}{K}$

$$C = \frac{Q}{V} = \frac{Q_0}{V_0 / K} = K \frac{Q_0}{V_0} = K C_0$$

Dielectric in a Capacitor

$V_0 = \text{constant}$ when battery remains connected

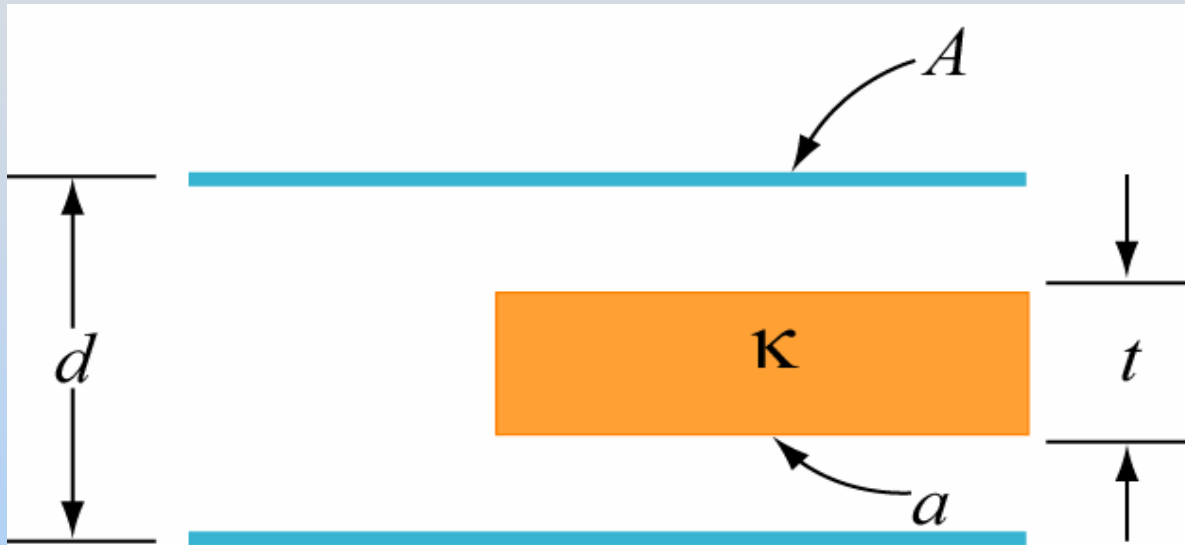


$$C = \frac{Q}{V} = \kappa C_0 = \kappa \frac{Q_0}{V_0}$$

Upon inserting a dielectric: $Q = \kappa Q_0$

PRS Questions: Dielectric in a Capacitor

Group: Partially Filled Capacitor



What is the capacitance of this capacitor?